

TEZLA AUDIO



SUBWOOFER

HIGH PERFORMANCE CAR AUDIO SYSTEM

1.0K & 1.5K & 2.0K SERIES



WWW.TEZLAAUDIO.COM

High Performance Car Audio System

OVERVIEW

Thanks your choose of TEZLA Audio's subwoofer that were engineered in USA. Hereby list our different series that include 1.0K series, 1.5K series and 2.0K series with different level for your different requirment. Please take a moment to review this manual prior to installing in order to maximize its potential.



TZV1-10D41.0K/10INCH



TZV1-12D41.0K/12INCH



TZV1-15D41.0K/15INCH



TZV1-8D41.5K/8INCH



TZV1-10D41.5K/10INCH



TZV1-12D41.5K/12INCH



TZV1-15D41.5K/15INCH



TZV1-12D22.0K/12INCH



TZV1-15D22.0K/15INCH

PRODUCT OF GROUP VIEW:



FEATURES:

- * 1.0K Series High Performance Car Subwoofer
- * 10inch, 12inch and 15inch for different option
- * Normal Dual 4 Ohm Impedance input
- * Strengthen Stamped Steel Frame
- * Non-pressed paper cone with foam surround
- * Convex PP Dustcap with 3D Logo
- * High Flux Double Ferrite Magnet System
- * High-temp 3inch -4Layers Voice Coil
- * 750W RMS Handling Power, 1500W Max.Power

SPECIFICATIONS:

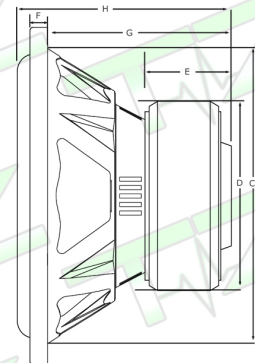
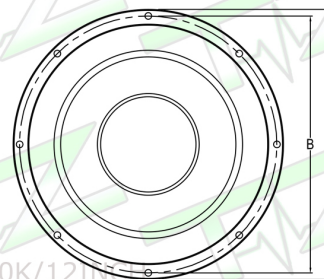
Product Type	Subwoofer Chassis
Magnet Dimension	2*170*25mm
Magnet Weight	2x700z
Magnet Efficiency	Y35
Spider Material	Black Nomex
Lead Wire Diemnsion	63GA
Lead Wire Materials	Flat Tinsel Wove
Voice Coil Wire Material	Round Copper
Voice Coil Former Magerial	Black Aluminum
Voice Coil Diameter	75mm/3"
Voice Coil Winding Height	40mm/1.57"
Top plate height	12mm / 0.47"
Linear Exursion (one-way)	14mm / 0.55"
Effective Xmax	40mm / 1.57"

T/S PARAMETERS:

Model No.	TZV1-10D4	TZV1-12D4	TZV1-15D4
Fs	32.3Hz	32.4Hz	30.8Hz
Re	4+4 Ohm	4+4Ohm	4+4Ohm
Res	86.9Ohm	96.6Ohm	101.2Ohm
Qms	5.67	5.06	4.87
Qes	0.56	0.59	0.66
Qts	0.51	0.53	0.58
Rms	8.60	11.40	13.70
Cms	0.10	0.09	0.08
Mms	238.7	281.9	344.8
Bl	26.4	27.8	28.5
SPL	81.6 dB	84dB	87dB
Vas	15.5L	28.8L	74.8l
Le	4.93mH	4.86mH	4.95mH
N.W.	22.04LBS	22.70LBS	23.14LBS

SUBWOOFER DIMENSION:

Model No.	TZV1-10D4	TZV1-12D4	TZV1-15D4
A	10.91"	12.83"	15.59"
B	9.92"	11.89"	14.80"
C	8.94"	10.71"	13.70"
D	6.85"	6.85"	6.85"
E	3.19"	3.19"	3.19"
F	0.63"	0.63"	0.63"
G	6.02"	6.61"	7.87"
H	7.13"	7.60"	8.86"



PRODUCT OF GROUP VIEW:



FEATURES:

- * 1.5K Series 8" High Performance Car Subwofer
- * 750W RMS Handling Power, 1500W Max.Power
- * Normal Dual 4 Ohm Impedance input
- * Die-cast Aluminum Frame
- * Reinforced Glass-fiber Paper Cone
- * Heavy-dut High Roll Foam Surround
- * Optimized Cooling System
- * High Efficiency Double Ferrite Magnet with Rubber boot
- * High-temp 4Layers BASV Coil

SPECIFICATIONS:

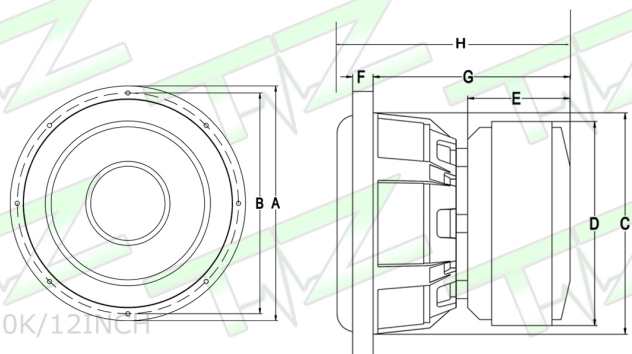
Product Type	Subwoofer Chassis
Magnet Dimension	2*170*25mm
Magnet Weight	2x760z
Magnet Efficiency	Y35
Spider Material	Black Nomex
Lead Wire Diemnsion	63GA
Lead Wire Materials	Flat Tinsel Wove
Voice Coil Wire Material	Round Copper
Voice Coil Former Magerial	Black Aluminum
Voice Coil Diameter	63.5mm/2.5"
Voice Coil Winding Height	45mm/1.77"
Top plate height	20mm / 0.79"
Linear Exursion (one-way)	12.5mm / 0.49"
Effective Xmax	35mm / 1.38"

T/S PARAMETERS:

Model No.	TZV1-8D41.5K
Fs	37.7Hz
Re	4+4 Ohm
Res	101.10hm
Qms	5.96
Qes	0.47
Qts	0.43
Rms	7.90
Cms	0.09
Mms	199.8
Bl	28.4
SPL	79.5 dB
Vas	5.1L
Le	4.45mH
N.W.	25.35LBS

SUBWOOFER DIMENSION:

Model No.	TZV1-8D41.5K
A	8.66"
B	7.68"
C	7.17"
D	6.85"
E	3.35"
F	0.67"
G	6.42"
H	7.68"



PRODUCT OF GROUP VIEW:



FEATURES:

- * 1.5K Series High Performance Car Subwoofer
- * 10inch, 12inch and 15inch for different option
- * Normal Dual 4 Ohm Impedance input
- * Die cast Aluminum Frame
- * Glass-fiber Reinforced Paper cone
- * Heavy-duty High Roll Foam Surround
- * High Flux Double Ferrite Magnet System
- * High-temp 2.5inch -4Layers Voice Coil
- * 1000W RMS Handling Power, 2000W Max.Power

SPECIFICATIONS:

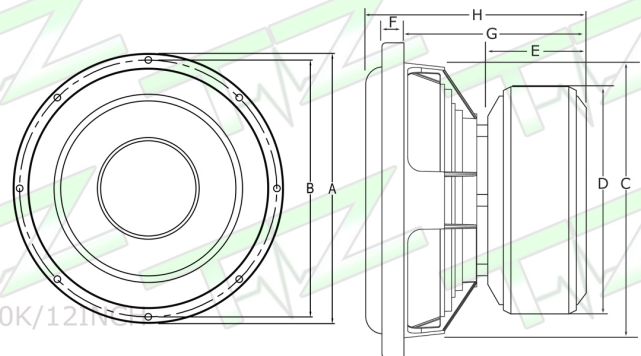
Product Type	Subwoofer Chassis
Magnet Dimension	2*190*25mm
Magnet Weight	2x950z
Magnet Efficiency	Y35
Spider Material	Black Nomex
Lead Wire Dimension	84GA
Lead Wire Materials	Flat Tinsel Wove
Voice Coil Wire Material	Round Copper
Voice Coil Former Material	Black Aluminum
Voice Coil Diameter	63.5mm/2.5"
Voice Coil Winding Height	50mm/1.97"
Top plate height	20mm / 0.79"
Linear Excursion (one-way)	15mm / 0.59"
Effective Xmax	45mm / 1.77"

T/S PARAMETERS:

Model No.	TZV1-10D4	TZV1-12D4	TZV1-15D4
Fs	33.7Hz	32.3Hz	29.8Hz
Re	4+4 Ohm	4+4Ohm	4+4Ohm
Res	134.4Ohm	129.6Ohm	130.6Ohm
Qms	6.59	5.12	5.51
Qes	0.47	0.50	0.53
Qts	0.44	0.45	0.48
Rms	9.60	12.60	12.5
Cms	0.07	0.08	0.08
Mms	299.9	316.9	368.1
Bl	32.8	27.8	28.5
SPL	81dB	84dB	87dB
Vas	10.3L	23.8L	65.8l
Le	4.85mH	5.08mH	4.97mH
N.W.	30.86LBS	31.96LBS	33.06LBS

SUBWOOFER DIMENSION:

Model No.	TZV1-10D4	TZV1-12D4	TZV1-15D4
A	10.55"	12.60"	15.67"
B	9.65"	11.61"	14.80"
C	9.29"	11.18"	14.09"
D	7.72"	7.72"	7.72"
E	3.35"	3.35"	3.35"
F	0.75"	0.75"	0.75"
G	6.10"	6.73"	7.87"
H	7.32"	8.19"	9.33"



PRODUCT OF GROUP VIEW:



FEATURES:

- * 2.0K Series High Performance Car Subwofer
- * 12inch and 15inch for different option
- * Normal Dual 2 Ohm Impedance input
- * Die cast Aluminum Frame
- * Glass-fiber Reinforced Paper cone
- * Heavy-duty High Roll Foam Surround
- * High Flux Triple Ferrite Magnet System
- * High-temp 3inch -4Layers Voice Coil
- * 2000W RMS Handling Power, 4000W Max.Power

SPECIFICATIONS:

Product Type	Subwoofer Chassis
Magnet Dimension	3*220*25mm
Magnet Weight	3x125Oz
Magnet Efficiency	Y35
Spider Material	Black Nomex
Lead Wire Dimension	Dual 84GA
Lead Wire Materials	Flat Tinsel Wove
Voice Coil Wire Material	Round Copper
Voice Coil Former Material	Black Aluminum
Voice Coil Diameter	76.5mm/3"
Voice Coil Winding Height	55mm/2.17"
Top plate height	25mm / 0.79"
Linear Excursion (one-way)	15mm / 0.59"
Effective Xmax	50mm / 1.97"

T/S PARAMETERS:

Model No.	TZV1-12D22.0K	TZV1-15D22.0K
Fs	33.0Hz	31.0Hz
Re	2+20hm	2+20hm
Res	206.90hm	236.90hm
Qms	5.67	5.49
Qes	0.40	0.39
Qts	0.37	0.36
Rms	14.50	16.7
Cms	0.06	0.06
Mms	396.9	472.0
Bl	28.8	30.8
SPL	84dB	87.5dB
Vas	18.3L	47.6L
Le	3.20mH	3.37mH
N.W.	59.51LBS	62.81LBS

SUBWOOFER DIMENSION:

Model No.	TZV1-12D22.0K	TZV1-15D22.0K
A	12.59"	15.67"
B	11.69"	14.80"
C	10.94"	14.02"
D	8.90"	8.90"
E	4.72"	4.72"
F	0.71"	0.71"
G	9.61"	10.71"
H	10.75"	12.01"

